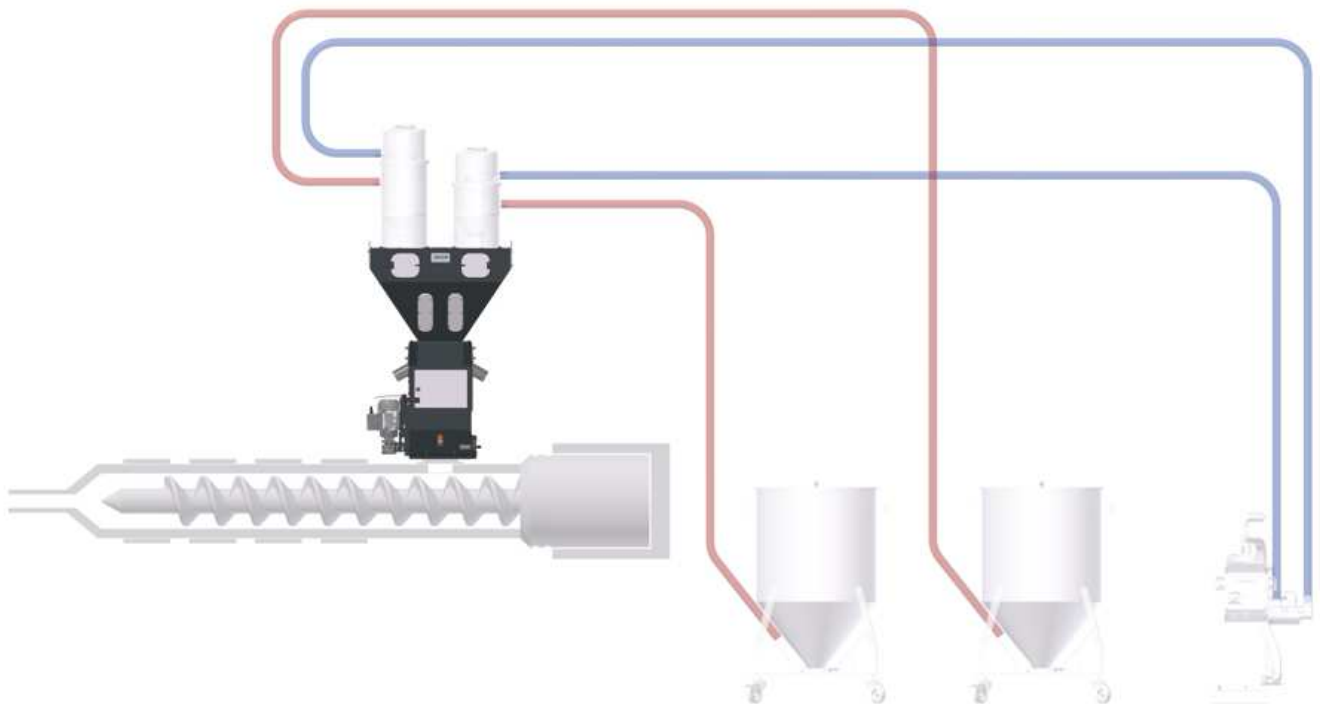




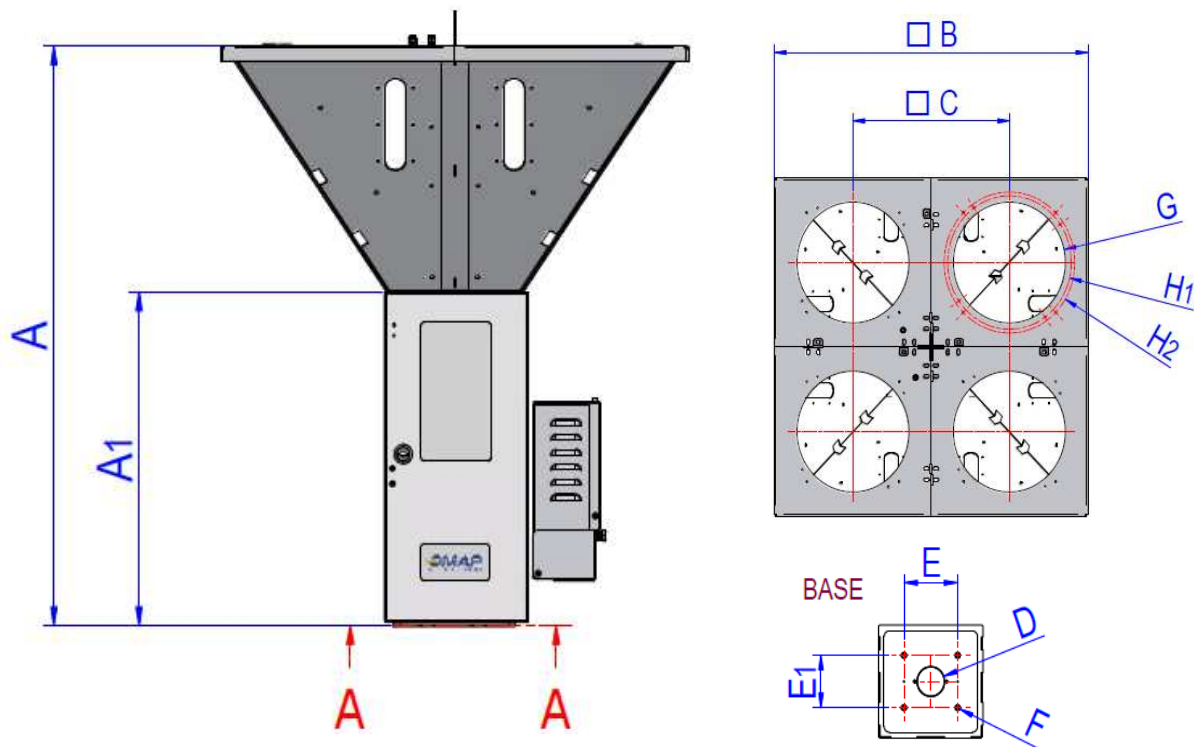
DGmix50-200 series

NEW DMAP
never stop innovating





DGmix50-200	DGmix50	DGmix100	DGmix200	
Pesata ciclo <i>Batch weight</i>	g	600	1000	1200
Volume tramogge cad. <i>Hopper volume each</i>	dm ³	12	12	12
Nr. componenti <i>Components no.</i>	-	4	4	4
Pulizia facilitata <i>Easy clean</i>	-	Si Yes	Si Yes	Si Yes
Produzione massima <i>Max throughput</i>	kg/h	100	150	225
Ulteriori componenti (massimo) <i>Max components to add</i>	-	2	2	2
Tensione <i>Voltage</i>	-	230V/1/50Hz	230V/1/50Hz	230V/1/50Hz

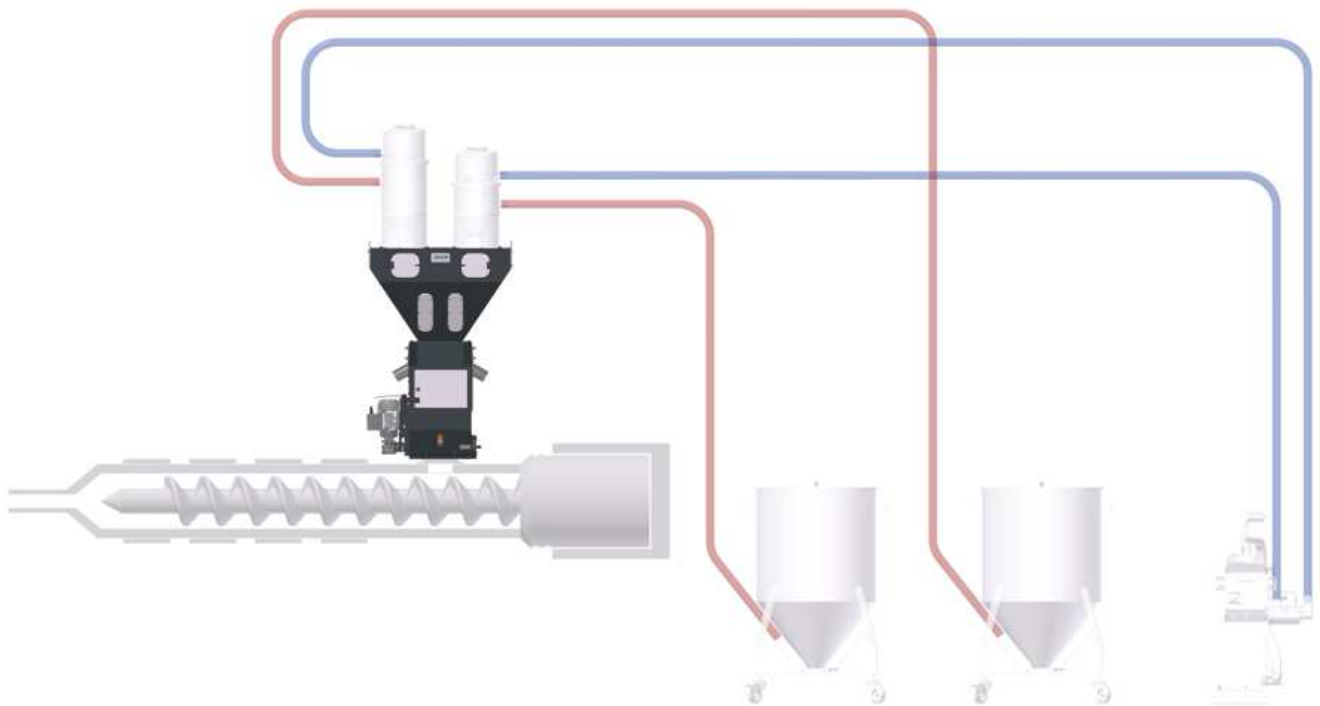


DGmix50-200	DGmix50	DGmix100	DGmix200	
A	mm	889	889	889
A1	mm	511	511	511
B	mm	640 x 640	640 x 640	640 x 640
C	mm	300 x 300	300 x 300	300 x 300
D (ø)	mm	52	52	52
E	mm	100	100	100
E1	mm	90	90	90
F (ø)	mm	9	9	9
G (ø)	mm	240	240	240
H (ø)	mm	265	265	265
H1 (ø)	mm	280	280	280



DGmix300-600 series

NEW DMAP
never stop innovating

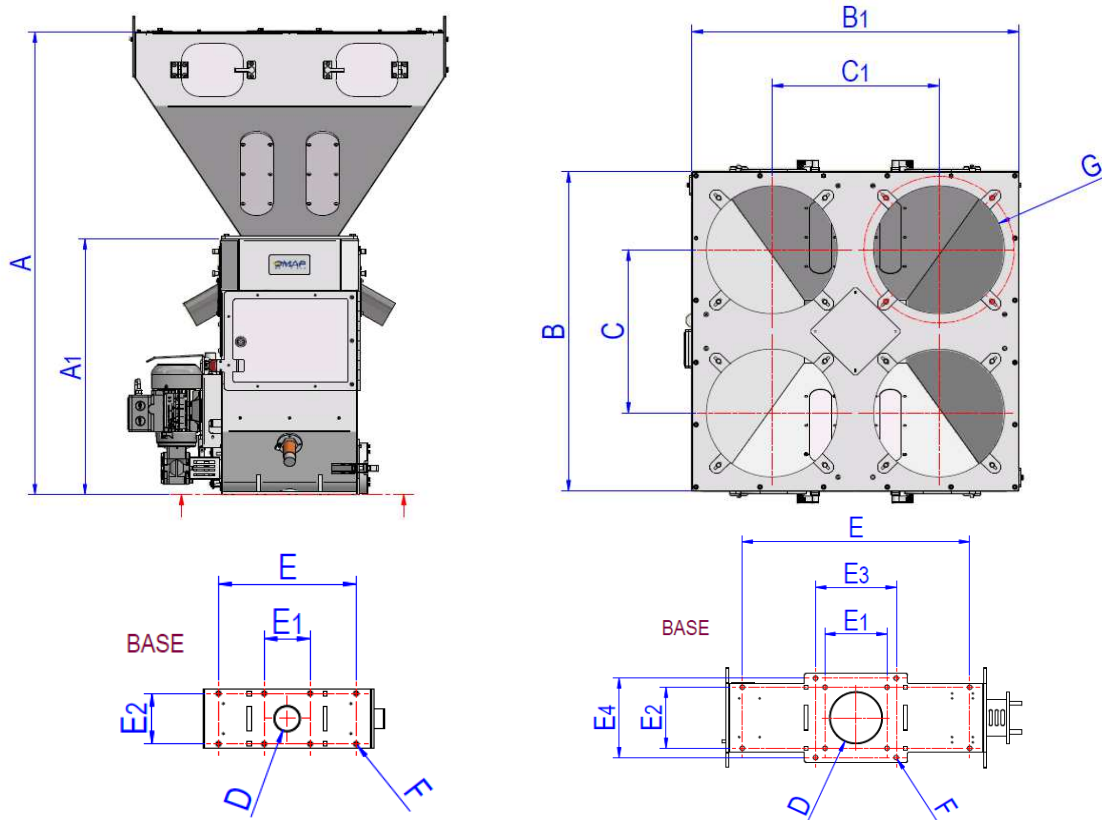




DGmix300-600 series

NEW **MAP**
never stop innovating

DGmix300-600	DGmix300	DGmix300ED	DGmix600	DGmix600ED	
Pesata ciclo <i>Batch weight</i>	g	2000	2000	4000	4000
Volume tramogge cad. <i>Hopper volume each</i>	dm ³	32	32	31	32
Nr. componenti <i>Components no.</i>	-	4	4	4	4
Produzione massima <i>Max throughput</i>	kg/h	400	400	800	700
Ulteriori componenti (massimo) <i>Max components to add</i>	-	2	4	2	4
Tensione <i>Voltage</i>	-	400V/3/50Hz	400V/3/50Hz	400V/3/50Hz	400V/3/50Hz

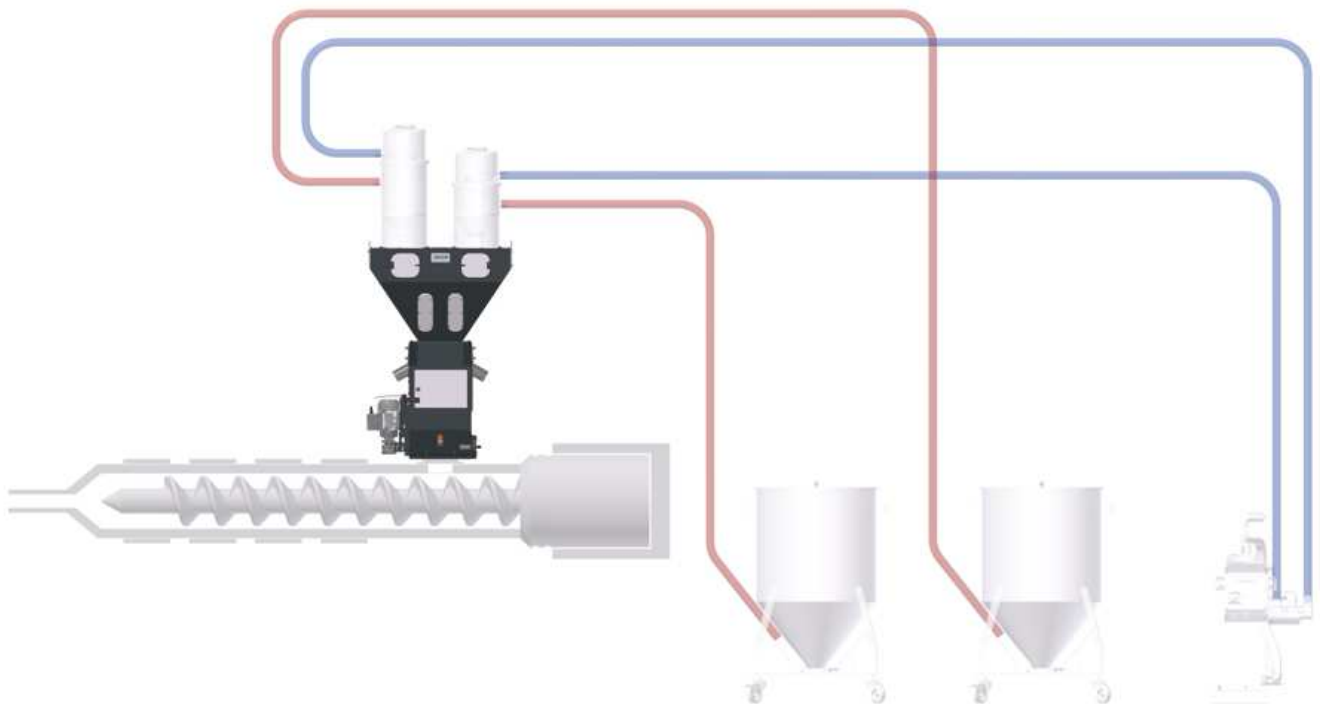


DGmix300-600	DGmix300	DGmix300ED	DGmix600	DGmix600ED	
A	mm	1096	1141	1161	1206
A1	mm	585	630	650	695
B	mm	750	750	750	750
B1	mm	750	750	750	750
C	mm	384	384	384	384
C1	mm	384	384	384	384
D (ø)	mm	51	51	51	51
E	mm	270	270	270	270
E1	mm	90	90	90	90
E2	mm	100	100	100	100
E3	mm	-	-	-	-
E4	mm	-	-	-	-
F (ø)	mm	9	9	9	9
G (ø)	mm	4 x 300	4 x 300	4 x 300	4 x 300



DGmix1000-3000 series

NEW DMAP
never stop innovating

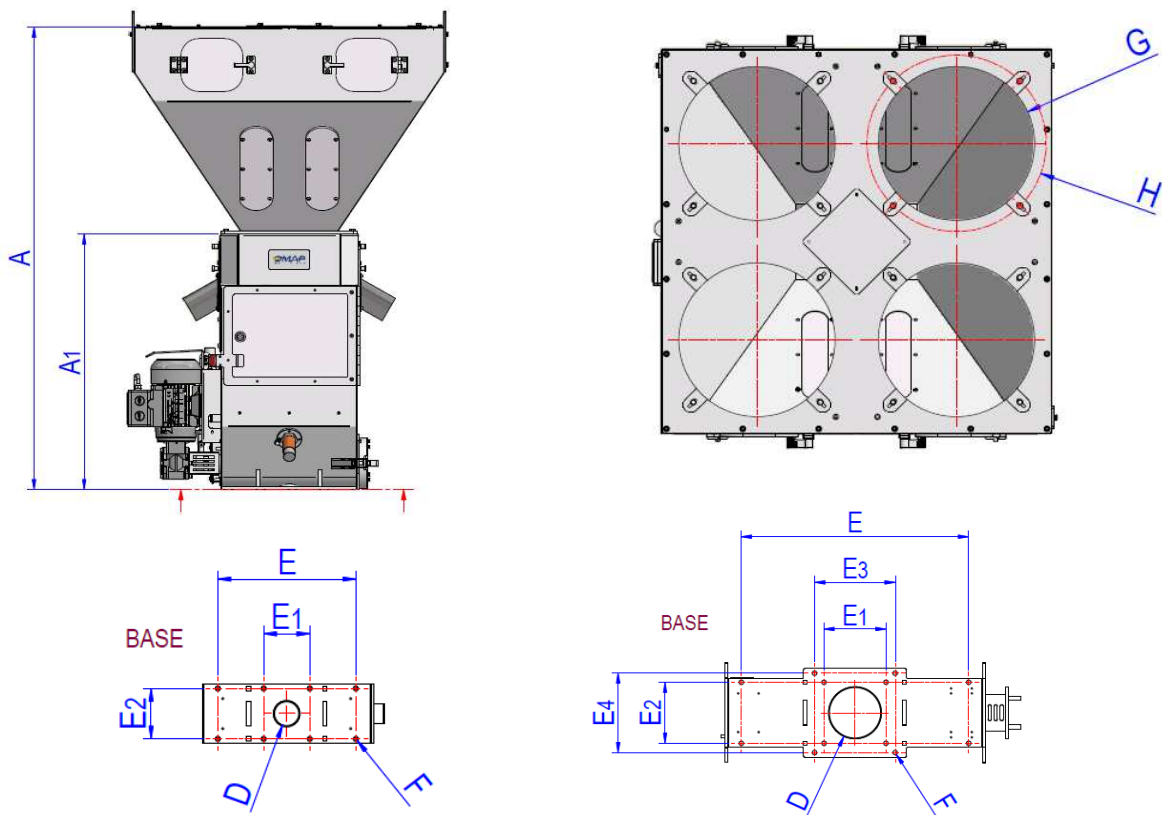




DGmix1000-3000 series

NEW MAP
never stop innovating

DGmix1000-3000		DGmix1000	DGmix1000ED	DGmix1500	DGmix3000
Pesata ciclo <i>Batch weight</i>	g	7500	7500	RFQ	RFQ
Volume tramogge cad. <i>Hopper volume each</i>	dm ³	32	32	RFQ	RFQ
Nr. componenti <i>Components no.</i>	-	4	6	RFQ	RFQ
Produzione massima <i>Max throughput</i>	kg/h	1150	900	RFQ	RFQ
Ulteriori componenti (massimo) <i>Max components to add</i>	-	4	4	RFQ	RFQ
Tensione <i>Voltage</i>	-	400V/3/50Hz	400V/3/50Hz	RFQ	RFQ



DGmix1000-3000		DGmix1000	DGmix1000ED	DGmix1500	DGmix3000
A	mm	1526	1691	1576	1924
A1	mm	913	913	963	1120
D (ø)	mm	99	99	102	127
E	mm	415	415	415	550
E1	mm	150	150	150	150
E2	mm	150	150	150	150
E3	mm	-	-	-	195
E4	mm	-	-	-	195
F (ø)	mm	11	11	11	11
G (ø)	mm	4 x 300	6 x 300	4 x 300	4 x 300
H (ø)	mm	345	345	345	345